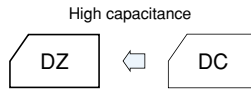


High Energy type Capacitors



- Low internal resistance allows boosting charge and heavy-current discharge. (ampere level)
- Pollution-Free ; with no pollutants such as Cd or Pb.
- Unlimited number of charges and discharges.



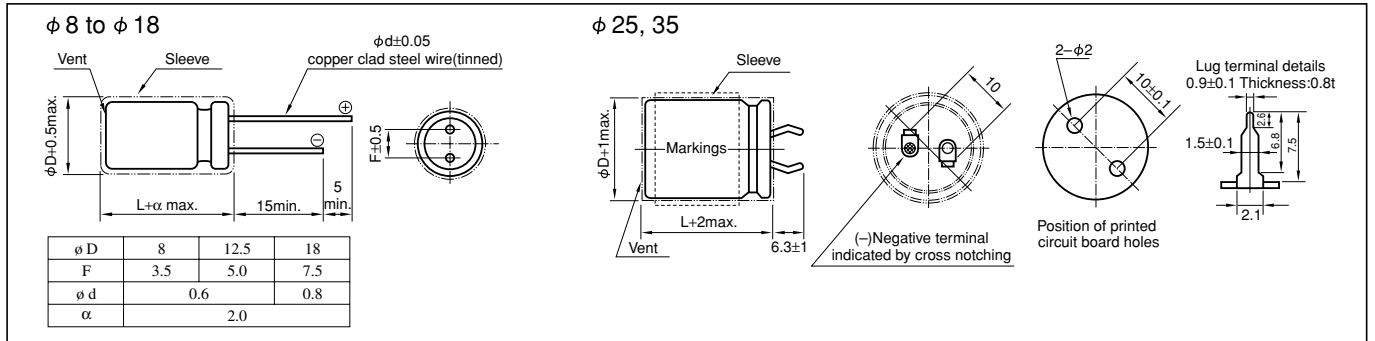
Marking color : White print on a black sleeve

Specifications

Item	Performance												
Category temperature range (°C)	-25 to +70 (300F : -25 to +60)												
Tolerance at rated capacitance (%)	-20 to +80												
Internal resistance at 1 kHz	Rated Capacitance (F)	1.0	2.7	3.3	4.7	6.6	10	20	30	50	100	200	300
	Internal resistance (Ω)	1.0	0.5	0.3	0.2	0.2	0.2	0.2	0.2	0.08	0.08	0.08	0.08
Characteristics at high and low temperature	Percentage of capacitance change	Within ±30% of value at 20°C											
	Internal resistance	Less than five times of the value at 20°C											
Endurance (70°C)	Test time	1000 hours (300F : 60°C 2000h)											
	Percentage of capacitance change	Within ±30% of the initial measured value											
	Internal resistance	Within four times of the initial specified value											
Shelf life (70°C)	Test time :1000 hours ; Same as endurance.												

Outline Drawing

Unit: mm

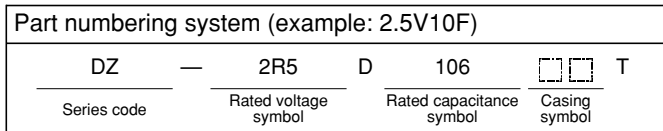


Standard Ratings

Max. operating voltage(V)	Rated capacitance(F)	Max. Leakage Current(mA) after 24h	ELNA Parts No.	φ DxL(mm)	Internal resistance(mΩ) at 1kHz (measurement value)
2.5	1.0	0.1	DZ-2R5D105G4T	8.0x15.0	300
2.5	1.0	0.1	DZ-2R5D105T	8.0x22.0	200
2.5	2.7	0.2	DZ-2R5D275G5T	8.0x22.0	150
2.5	3.3	0.2	DZ-2R5D335T	12.5x23.0	70
2.5	4.7	0.3	DZ-2R5D475T	12.5x31.5	50
2.5	6.6	0.4	DZ-2R5D665Z6T	12.5x23.0	60
2.5	10	0.5	DZ-2R5D106Z7T	12.5x31.5	50
2.5	10	0.5	DZ-2R5D106T	18.0x35.0	30
2.5	20	0.8	DZ-2R5D206K8T	18.0x35.0	30
2.5	20	0.8	DZ-2R5D206T	18.0x40.0	30
2.5	30	0.8	DZ-2R5D306K9T	18.0x40.0	30
2.5	50	1.0	DZ-2R5D506T	25.0x40.0	30
2.5	100	1.0	DZ-2R5D107S37T	25.0x50.0	20
2.5	100	1.0	DZ-2R5D107T	35.0x50.0	20
2.5	200	2.0	DZ-2R5D207S57T	35.0x50.0	20
2.5	300	5.0	DZ-2R5D307S57T	35.0x50.0	20

\* Internal resistance are not guaranteed values, but measurement value.

\* We tailor packaged product in series and parallel arrangements according to voltage and capacitance as required.



**NOTE**  
Design, Specifications are subject to change without notice.  
Ask factory for technical specifications before purchase and/or use.